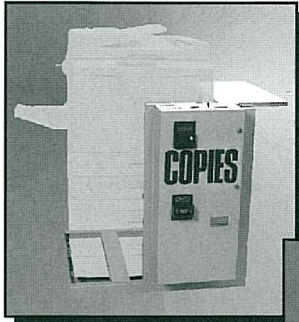


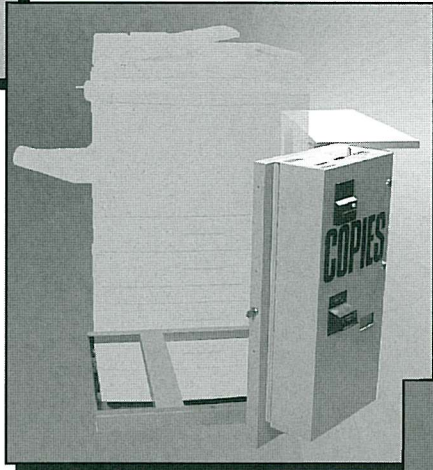
TM

"The Payment Method People"

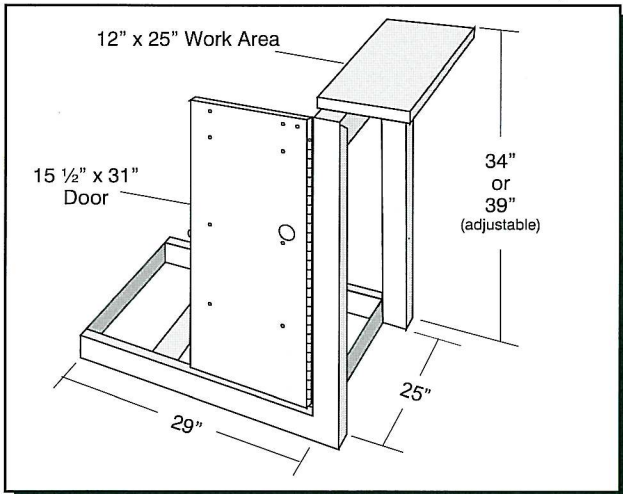
CS-1 Mounting Stand for Left or Right Side Mounting of a Jamex Vend Station



CS-1, locked, protects paper cassettes



CS-1, unlocked, allows hinged door to open



- Secures access to front loading paper cassettes with locking front door
- Jamex Vend Station mounts to pre-drilled locking front door
- Mirror image left or right configurations available
- Convenient work area, adjustable to two heights
- Casters and leveling feet provide convenient positioning as well as secure copier placement
- Quick and easy assembly with a tool and all hardware provided
- Ships UPS, two cartons 50 & 42 lbs.



CS-1, unlocked with door open, allows full access to paper cassettes

Jamex, Inc.

2415 North Triphammer Road, Ithaca, NY 14850
607-533-8811 800-289-6550 fax 607-533-8809

www.jamexvending.com